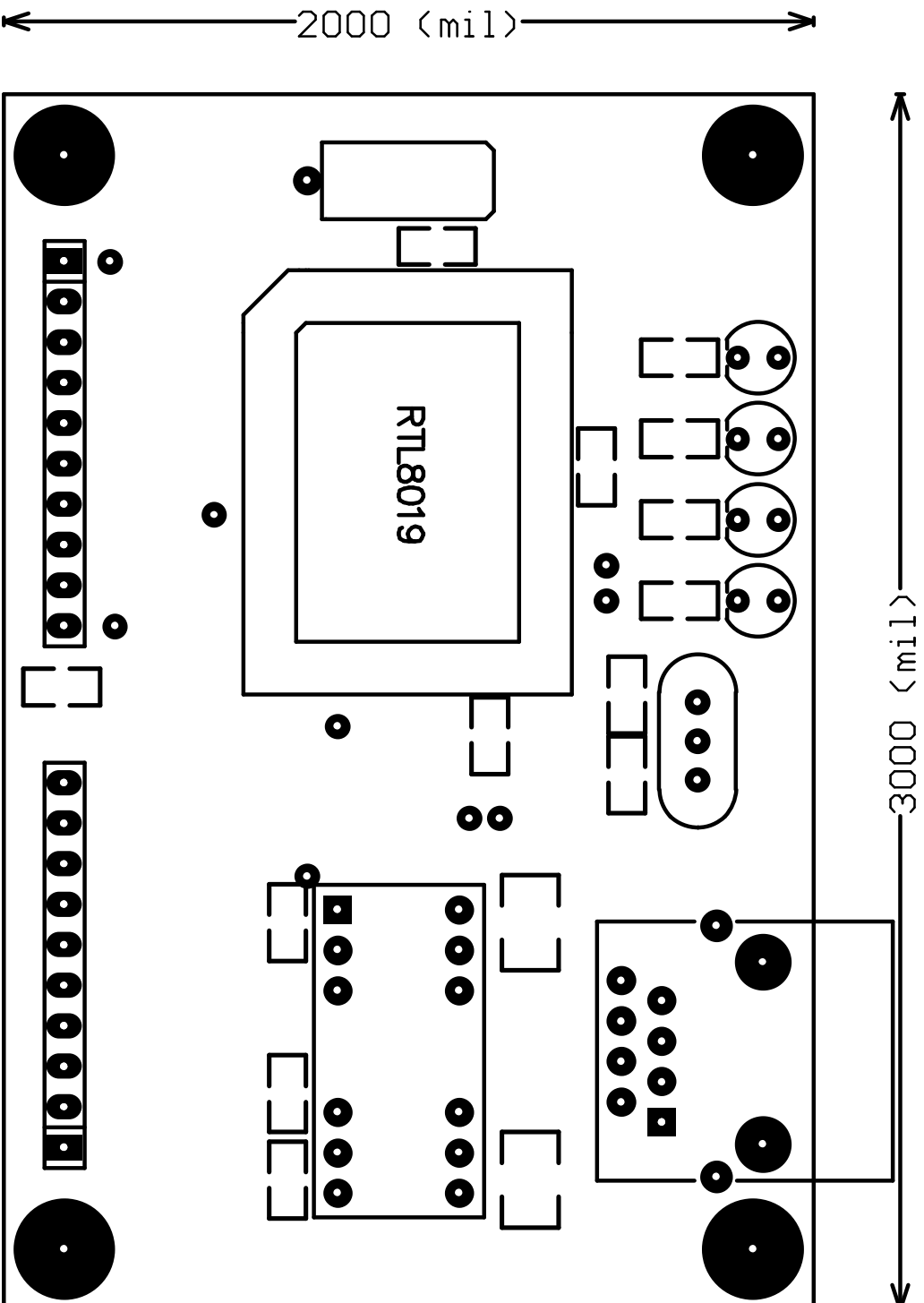


Title		
<b>Wayne's RTL8019AS Ethernet Module</b>		
Size A4	Number <a href="http://users.senet.com.au/~wpeacock">http://users.senet.com.au/~wpeacock</a>	Revision 1.0 (19/05/2002)
Date: 31-Jul-2003	Sheet of	Drawn By: Wayne Peacock
File: E:\protel\Protel\Ethernet\RTL8019.sch		



Wayne's Embedded Ethernet Module

<http://users.senet.com.au/~wpeacock>